

**OPERATION AND SAFETY INSTRUCTIONS
RG – 3 LAUNCHER
6 Shots, Cal. 6 mm (.22 Cal) - Blank Cartridges (#6050)**



FUNCTIONING

This launcher has a semi-automatic trigger cocking, clip advancing mechanism.

AVOID PULLING THE TRIGGER WHEN THE CLIP IS EMPTY, EXCEPT WHEN THE SAFETY LEVER IS IN "E" (EJECT) POSITION.



LEVER POSITIONS: E - EJECT, S - SAFETY, F - FIRE

LOADING

6mm Blanks (Item # 6050) are required for this launcher. Remove the clip by setting the safety lever to "E"(Eject) position, and then pull the trigger repetitively to advance the clip to the rear. Open the rear door and remove the clip. Open the clip and insert the crimped blanks. Close the clip. **Set the Safety Lever to "S"** (safety); re-insert into the front, top of the launcher. (The clip is shaped so that it can only be smoothly re-inserted into the launcher in one manner). The clip will "click" into place when it is properly inserted.

FIRING

Dry Firing (with no blanks in the chamber) will permanently damage launcher.

Insert 15mm pyrotechnical cartridge into the end of the muzzle as per instructions on pyrotechnic cartridge packaging, i.e. BLACK or HOLLOW end in first. Move the safety lever to the "F" (FIRE) position. You are now ready to fire a 15mm pyrotechnical cartridge. Always fire at 45-degree angle from the ground. When all six crimped blanks are fired, it will be necessary to reload the clip.

CLEANING

After each use clean crimped blank chamber, muzzle adaptor and barrel with a 6mm bore brush and water. Dry all parts thoroughly after cleaning. Proper maintenance will increase the efficiency and life of the launcher.

NB: It is extremely important, that launcher & clip be kept very clean, especially after heavy use as it is possible for flash of blank to be impeded by carbon build up and flash backwards, igniting all blanks in clip at once.

SAFETY INSTRUCTIONS

- **Operator must only fire this launcher in area clear of all personnel. Personnel should be a minimum of 5 meters behind launcher operator. Always fire at a 45-degree angle above the ground.**
- **Do not make any modifications to any components of this launcher.**
- **Never load or fire this launching device from a vehicle or vessel. Do not fire at humans, animals, buildings, and dry fields or at any flammable materials or liquids. Keep an adequate distance from all flammable objects.**
- **Always wear a hardhat, eye, and ear protection when using or handling this launching device.**
- **Never store launcher with crimped blanks or pyrotechnical cartridges inserted.**
- **This device is intended solely for wildlife management and control. The proper and safe use of this device is the sole responsibility of the operator/owner. The seller assumes no responsibility or liability for the improper or illegal use, resale, physical injury or property damage resulting from the deliberate or accidental discharge, modifications to the device or cartridges, careless operation, and launcher maintenance neglect. The seller guarantees care in manufacture but assumes no further responsibility.**
- **Only mature, responsible adults who have a clear understanding of the functions of this device and a working knowledge of pyrotechnical scare cartridges and launchers should operate this tool. Persons under 18 years of age should not operate this device.**
- **Always keep this instructional sheet with the launcher.**
- **This launcher is NOT a firearm, it is a powder-actuated tool.**
- **Failure to comply with these safety instructions could result in serious injury or death.**

**** IF UNCLEAR ON ANY OF THE ABOVE TOPICS, PLEASE CONTACT MARGO SUPPLIES LTD. ****

OPERATION AND SAFETY INSTRUCTIONS
RG – 3 LAUNCHER
6 Shots, Cal. 6 mm (.22 Cal) - Blank Cartridges (#6050)



RG 3 Launcher

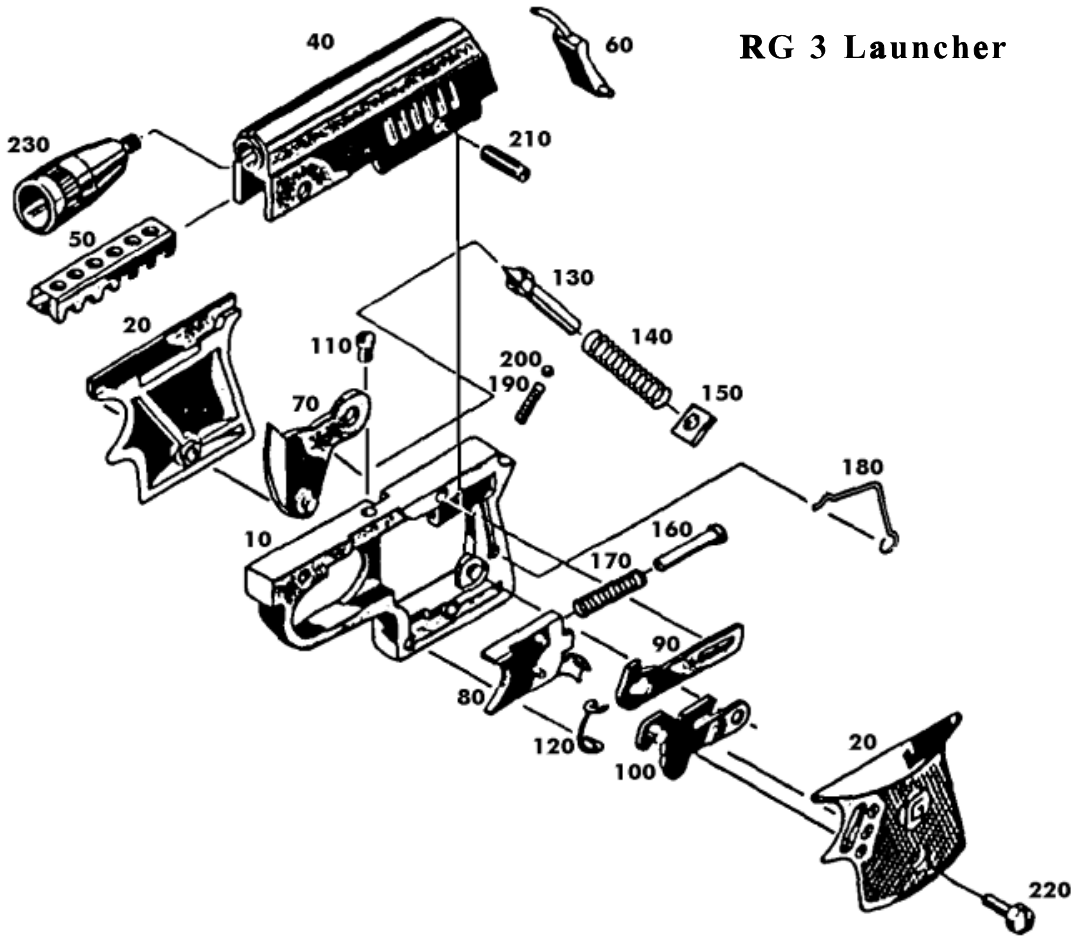


Diagram #	ID #	Description	Diagram #	ID #	Description
10	093505	Pistol Frame	130	093523	Spring Rod
20	215755	Handle Grip - Pair	140	093518	Compression Spring lg
40	093507	Cover	150	000019	Spring Washer
50	092627	Magazine Clip	160 ~	093522	Trigger Spring Rod
60	093508	Rear Cover	170 ~	093521	Trigger Spring
70 ~	092618	Hammer	180	000022	Carrying Blade Spring
80 ~	092617	Trigger	190	0056254	Compression Spring sm
90 ~	093516	Carrying Blade	200	010201	Metal Ball
100 ~	092615	Safety	210 ~	093525	Roll Pin
110 ~	347663	Holding Bolt	220	691000	Handle Grip Screw
120	000044	Safety Spring	230	332518	Muzzle

* Indicates RG 3/300 ~ Indicates RG 3/300/600

MARGO SUPPLIES LTD. P.O. Box 5400 High River, Alberta, Canada T1V 1M5

Phone: 403-652-1932 Fax: 403-652-3511 Email: info@margosupplies.com Toll Free 1-888-652-1199

Carbon deposits build up inside the barrel, magazine and muzzle cup over time. Routine cleaning is required to ensure reliable operation and longevity. The launcher is to be cleaned after each use. Using water with the magazine brush, bore brush and aviation bit, clean the magazine, muzzle adaptor and barrel. Hardened carbon deposits can be loosened by submersing the launcher in boiling hot water until cool. It is extremely important the launcher be kept very clean, especially after heavy use, as it is possible for the flash be impeded by carbon build up and flash backwards. After cleaning, the launcher should be lubricated with dry silicone. The following items are recommended for proper cleaning:

Cleaning Tools

- #1 – 3/16" aviation bit (item #5705)
- #2 – bore brush (item #5706)
- #3 – magazine chamber brush (item #5704)
- #4 – M-Pro 7 cleaning solution (item #5700)

The following Items are available at your local gun/hardware shop:
- dry silicone lubricant



Figure 1: Recommended tools

Warning Signs of Overdue Maintenance

- Carbon build-up in muzzle cup and barrel
- Clip magazine travel restricted
- Trigger hard to pull on the RG3 and RG300
- All blanks in magazine fire when trigger

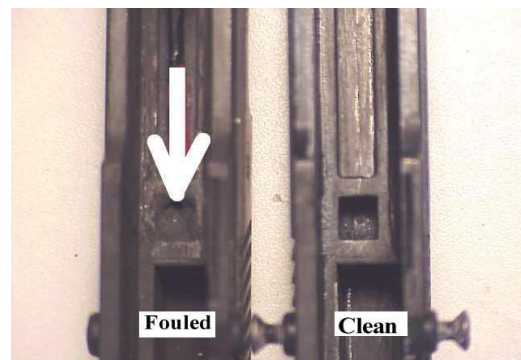


Figure 2: Example of powder blocked internal flash port

Routine Maintenance

Clean barrel, magazine chamber and magazine after every use.

1. Brush above parts vigorously
2. Spray with M-Pro 7
3. Re-brush and let dry
4. Lubricate with dry silicone

Cleaning Procedure

To clear powder from internal flash port, perform following cleaning procedure periodically.

1. Remove and clean muzzle cup with drill bit and brush. When the launcher is pointed down, scare cartridges will fall out of a clean muzzle cup.
2. Use aviation bit in barrel to loosen hard carbon deposits. Aviation bit is marked for depth. The first mark (score on bit) from the tip end is for the RG-3 and the second for the RG-300. Turn bit in by hand and tap lightly (Fig 1).
3. Remove bit from barrel and shake loosened carbon deposits out by holding muzzle downward and tapping lightly.
4. Hardened carbon deposits can be loosened by submersing in boiling hot water until cool.
5. Repeat steps 2 and 4 until carbon debris is no longer apparent.
6. Brush barrel vigorously with bore brush (Fig. 2).
7. Brush magazine chamber with chamber brush (Fig. 3).
8. Spray M-Pro 7 into barrel and magazine chamber.
9. Re-brush barrel and chamber and let dry.
10. Spray dry silicone into barrel, magazine chamber, trigger mechanism, and eject/safety/fire lever (also at probe tool on handle butt of RG-300).
11. Clean clip magazines by brushing thoroughly and vigorously with boiling water, re-brush, and spray with dry silicone.

